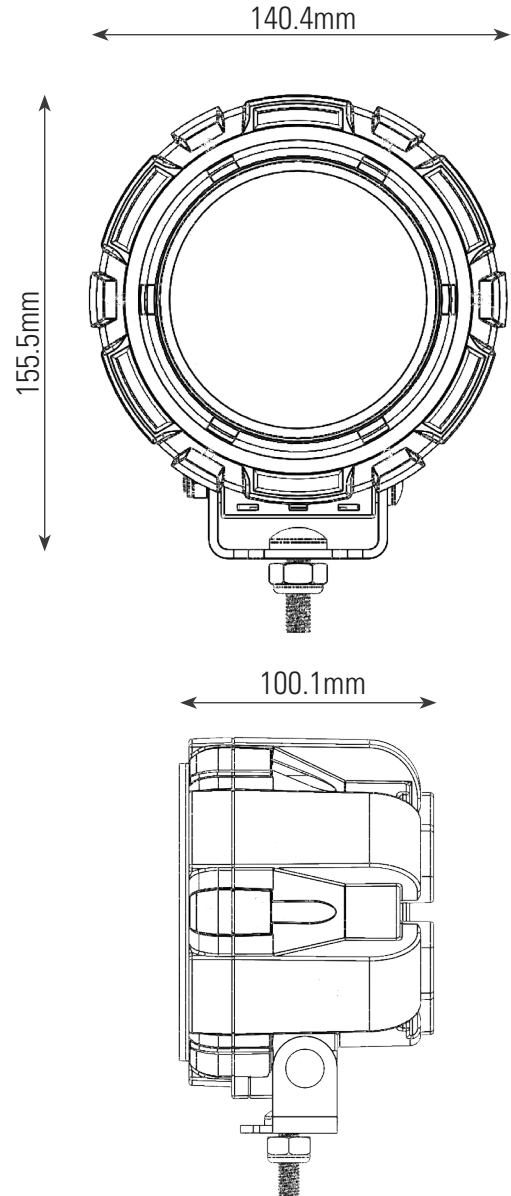


# GXL LED - Off-Road Series

37146 Old Hwy 17 - Culbertson, NE 69040 | 800.557.0098 | golight.com



## Model 4211



### Lighting Metrics:

- Peak Beam Intensity: 130,000 Candela
- Max Output: 2500 Lumens
- Power: 27W @12V
- LED: 7 CREE XBH
- Color Temperature: 6350K
- LED Life Rating: 30,000 Hours Max
- Optical Lens: Aspherical; 12° Beam Angle

### Electrical:

- Input Voltage: 9VDC-36VDC
- Current Draw: 2A @ 12VDC .9A @ 24VDC
- Standard Power Cord: 360mm Length; Red (+) Black (-)

### Electronic:

- Over / Under Voltage Protection
- Reverse Polarity Protection
- On-Board Thermal Protection
- CISPR 15 Compliant
- Operating Temp Range: -40° C - +60° C

### Construction:

- Nylon + GF Reinforced Housing
- High Impact PMMA Lenses
- Hard Anodized Aluminum Heat Sink
- Stainless Steel Powdercoated Bracket
- Bracket Adjustment Angle: 70° up/20° down
- Stainless Steel Mounting Hardware
- Mounting Hardware: M8-1.25x25mm Stainless
- Carriage Bolt with Flat Washer & Nylock Nut
- Water/Dust Rating: IP66
- Unit Weight: 2.1 lbs