

FIVE YEAR LIMITED WARRANTY

Golight, Inc. warrants the GXL® against any deemed defects that are due to workmanship for parts or faulty materials, for five years from date of original purchase. This warranty to the GXL® does not cover damage resulting from unreasonable use or misuse, unreasonable maintenance or loss, or labor costs.

Warranty information may be filled out online at:
<http://golight.com/support/product-registration/>

If the GXL® does fail to operate under warranted specification, Please call 1-308-278-3131 for a Return Goods Authorization number. After receiving an RGA#, send the light and all necessary accessories postage paid, plus \$9.95 for shipping and handling to Golight, Inc., Service Department, 37146 Old Hwy 17, Culbertson, NE 69024. No C.O.D.'s accepted. Only the above manufacturer is authorized to perform warranty repair or replace product.

Any consequential damages to person or property are excluded from this warranty. Some states do not allow the exclusion and limitation of incidental or consequential damages, therefore, the above limitations or exclusions may not apply to you. This warranty gives you specific legal rights and you may also have other rights.

IMPORTANT SAFETY INFORMATION

- * **This symbol is to alert you to important operating or servicing instructions that appear in your instructions. Always follow basic safety precautions when using this product to reduce the risk of injury, fire or electric shock.**
- * This light is for off road and utility use only. It is not designed for public road/highway use as a driving light.

Golight Inc
37146 Old Hwy 17
Culbertson, NE 69024
800.557.0098 | 308.278.3131
www.golight.com | info@golight.com

GXL OFF-ROAD MODEL 4211

Congratulations

You are now the owner of one of the finest lighting products available today. Thank you for letting Golight® assist you in your lighting application needs.

We're proud of our products and the LED Xtreme™ Technology that we've developed to ensure our customers the most durable, versatile and powerful lights in the industry. Please read these instructions before using your new Golight® GXL® Off-Road Light.

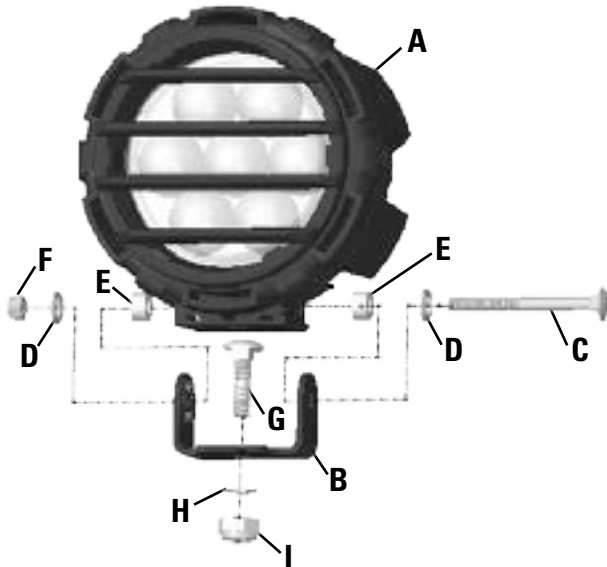


INSTRUCTION GUIDE MODEL 4211

The GXL[®] is an LED, fixed-mount off-road light offering incredible intensity and durability in a small package. Utilizing the latest in LED, lens and reflective technology, the GXL[®] casts light where you need it.

CONTENTS:

- A) Model 4211 Golight LED Off-Road Light – 1 each
- B) Mounting Bracket – 1 each
- C) 6 mm x 70 mm Carriage Bolt – 1 each
- D) 6 mm Flat Washer – 2 each
- E) 6 mm Spacer - 2 each
- F) 6 mm Nylon Insert Lock Nut
- G) 8 mm x 25 mm Carriage Bolt – 1 each
- H) 8 mm Flat Washer – 1 each
- I) 8 mm Nylon Insert Lock Nut – 1 each



INSTALLATION INSTRUCTIONS

It is highly recommended that the installer use a torque wrench for tightening all fasteners.

DO NOT OVERTIGHTEN FASTENERS!

- 1) Using an 13 mm socket, loosen and remove the 8 mm nylon locking nut (I) and flat washer (H).
- 2) Place the bottom of the bracket (B) on the desired mounting surface. If it is necessary to drill a hole, use an 8 mm or 5/16 inch bit.
- 3) Reinstall the 8 mm flat washer and nylon locking nut.
- 4) Torque the 8 mm nylon locking nut to 180 in-lb (15 ft-lbs or 20 Nm).
- 5) Adjust light vertically to desired angle.
- 6) Using a 10 mm socket, tighten the 6 mm nylon locking nut to 85 in-lb (8 ft-lb or 11 Nm).

ELECTRICAL CONNECTION

- 1) Connect the negative wire (black) to a chassis ground on the vehicle.
- 2) Connect the positive wire (red) to a switched and fused circuit.

Voltage Input Range: 9 – 36V DC

Amp Draw: 2.0A @ 13.8V