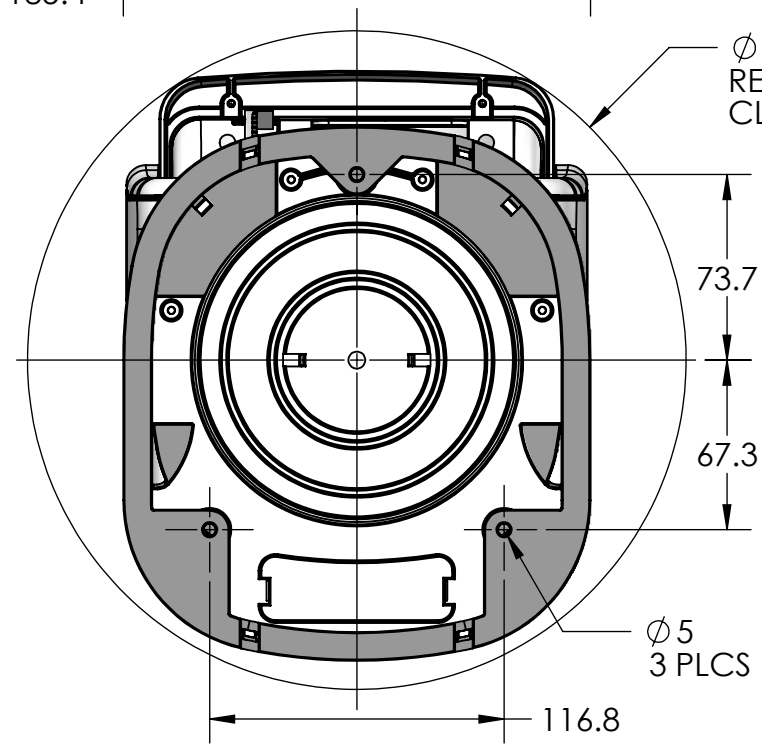
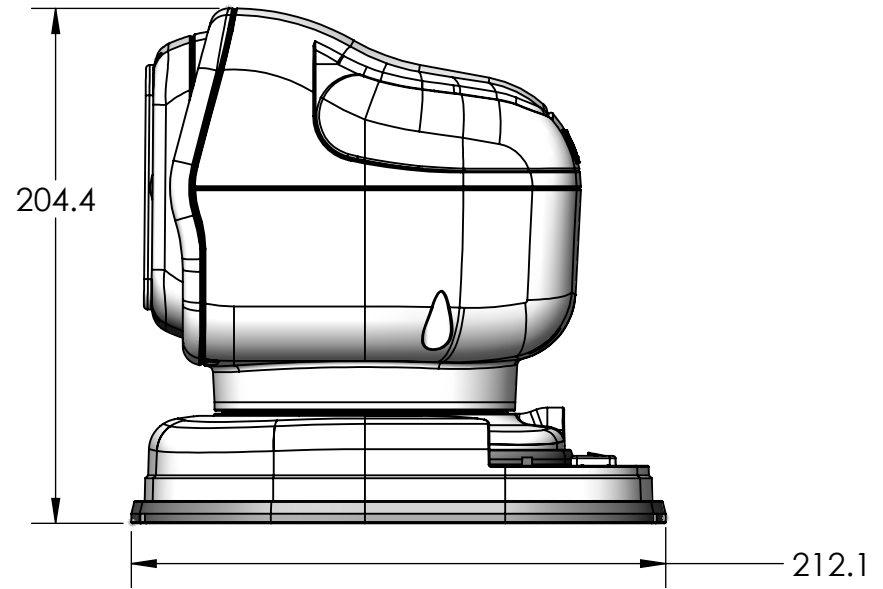
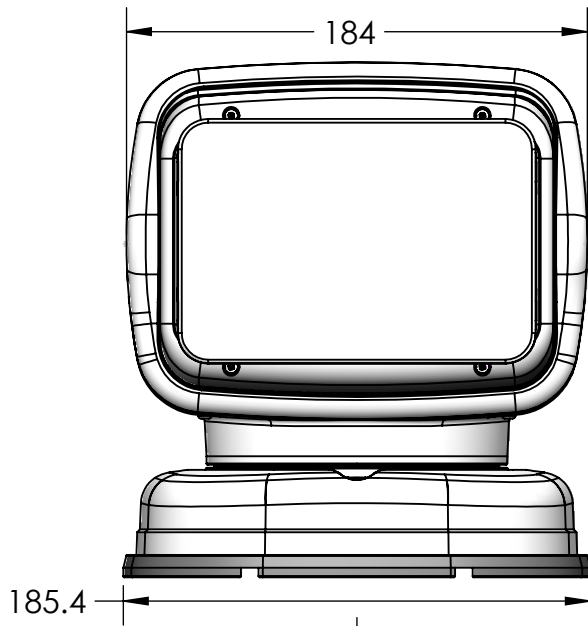


2

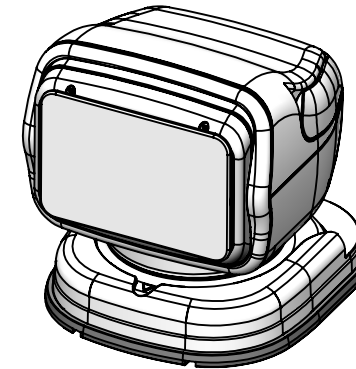
1

B

B



Ø261.4
REQUIRED HORIZONTAL
CLEARANCE - LAMP UP



A

A



GOLIGHT
 PROPRIETARY AND CONFIDENTIAL
 THE INFORMATION CONTAINED IN
 THIS DRAWING IS THE SOLE
 PROPERTY OF GOLIGHT, INC. ANY
 REPRODUCTION IN PART OR AS A
 WHOLE WITHOUT THE WRITTEN
 PERMISSION OF GOLIGHT, INC IS
 PROHIBITED.

DO NOT SCALE DRAWING

GOLIGHT, INC
 37146 OLD HWY 17
 CULBERTSON, NE 69024
 800.557.0098
 www.golight.com

UNLESS OTHERWISE SPECIFIED:
 DIMENSIONS ARE IN mm
 TOLERANCES:
 FRACTIONAL ±
 ANGULAR: MACH ± BEND ±
 TWO PLACE DECIMAL ±
 THREE PLACE DECIMAL ±

	NAME	DATE
DRAWN	B R BAIR	10/16/2018
CHECKED	C D HOSICK	10/16/2018

PART NUMBER:

TITLE:

OUTSIDE DIMENSIONS -
 PORTABLE MOUNT
 GOLIGHT GT SERIES

SIZE	DWG. NO.	REV
A	10057	NONE

SCALE: NONE

SHEET 1 OF 1

2

1