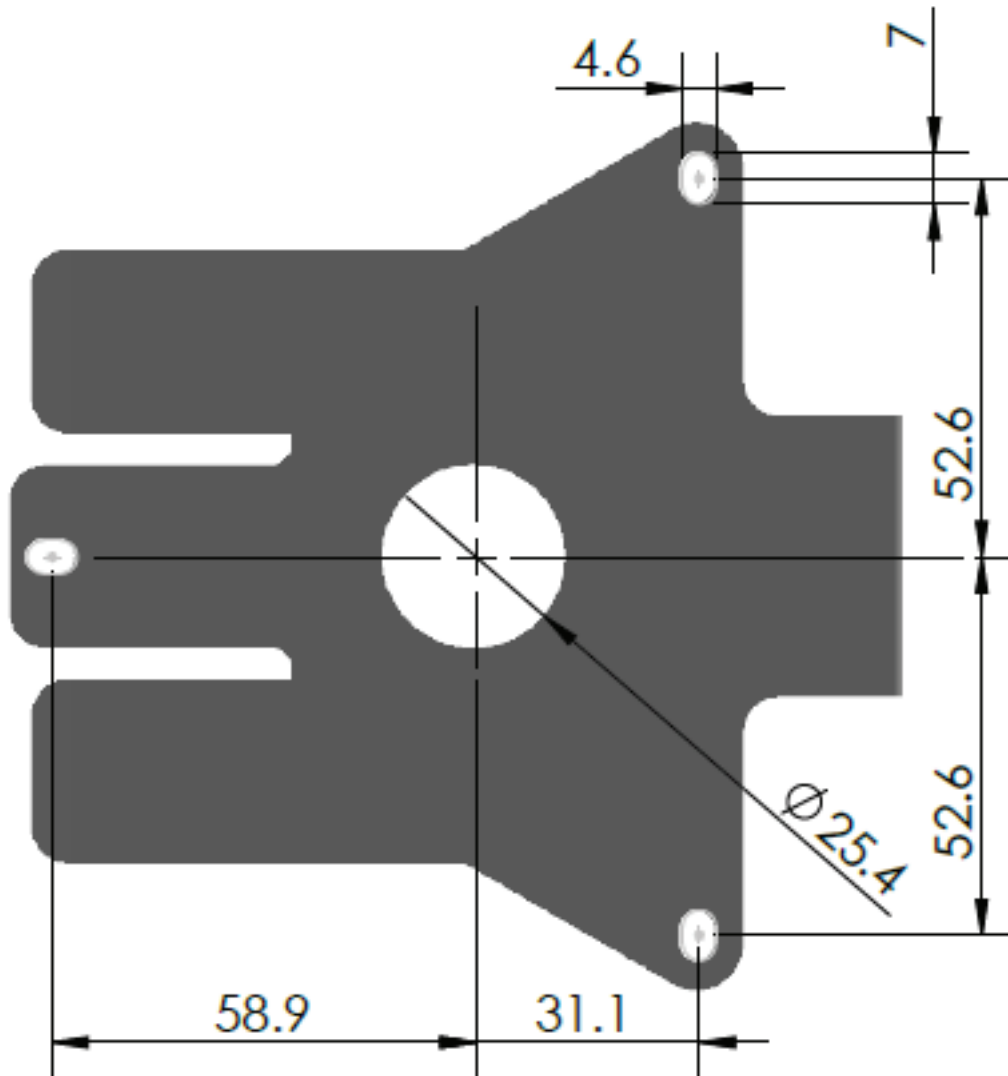




GOLIGHT®

Stryker ST Hole Pattern



Dimensions = mm